

Product datasheet

Specifications



Tower Light - RAG - 24V - LED Based - W. Buzzer - Tube mounting with "L" bracket

XVGB3S

Main

Range of product	Harmony XVG
Product or component type	Complete pre-wired monolithic tower light
Beacon or indicator bank unit type	3 illuminated units
Material	PC (UL94 V-2): globe ABS (UL94HB): tube body Aluminium: tube
Mounting diameter	60 mm
Component name	XVG
Device mounting	Tube with L bracket
Light source	LED steady red LED steady green LED steady amber
Light block color	Red/orange/green
Indicator bank base type	Base with integrated buzzer

Complementary

Rated supply voltage	24 V AC/DC
Cable cross section	0.33 mm ²
Discrete output type	PNP and NPN
[Uimp] rated impulse withstand voltage	0.5 kV
Current consumption	180 mA
Noise level	85 dB
Power consumption in W	4.1 W
Fundamental frequency	2.64 kHz
Net weight	0.47 kg

Environment

Product certifications	CE EAC
Ambient air temperature for storage	-35...70 °C

Ambient air temperature for operation	-10...50 °C
---------------------------------------	-------------

IP degree of protection	IP23
-------------------------	------

Packing Units

Unit Type of Package 1	PCE
------------------------	-----

Number of Units in Package 1	1
------------------------------	---

Package 1 Height	8.1 cm
------------------	--------

Package 1 Width	14.1 cm
-----------------	---------

Package 1 Length	54.6 cm
------------------	---------

Package 1 Weight	661.0 g
------------------	---------

Unit Type of Package 2	S04
------------------------	-----

Number of Units in Package 2	6
------------------------------	---

Package 2 Height	30 cm
------------------	-------

Package 2 Width	40 cm
-----------------	-------

Package 2 Length	60 cm
------------------	-------

Package 2 Weight	4.91 kg
------------------	---------

Unit Type of Package 3	P06
------------------------	-----

Number of Units in Package 3	30
------------------------------	----

Package 3 Height	72 cm
------------------	-------

Package 3 Width	60 cm
-----------------	-------

Package 3 Length	80 cm
------------------	-------

Package 3 Weight	33 kg
------------------	-------

Offer Sustainability

Sustainable offer status	Green Premium product
--------------------------	-----------------------

REACH Regulation	REACH Declaration
------------------	-----------------------------------

REACH free of SVHC	Yes
--------------------	-----

EU RoHS Directive	Pro-active compliance (Product out of EU RoHS legal scope) EU RoHS Declaration
-------------------	---

Mercury free	Yes
--------------	-----

China RoHS Regulation	China RoHS declaration
-----------------------	--

RoHS exemption information	Yes
----------------------------	-----

Environmental Disclosure	Product Environmental Profile
--------------------------	---

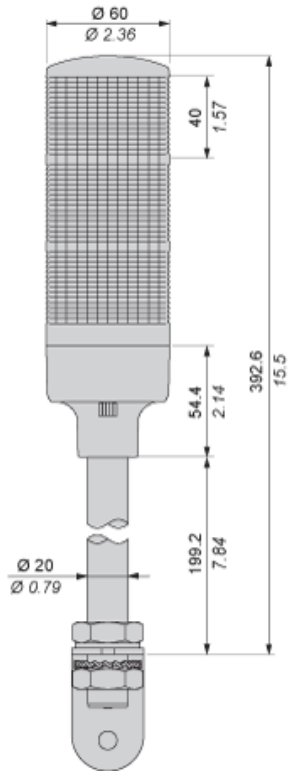
Circularity Profile	End of Life Information
---------------------	---

Contractual warranty

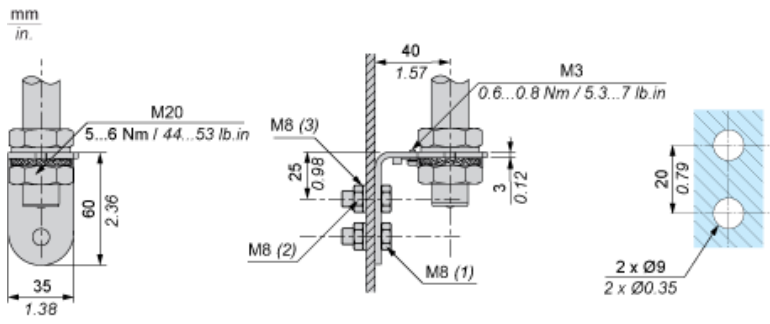
Warranty	18 months
----------	-----------

Dimensions

mm
in.

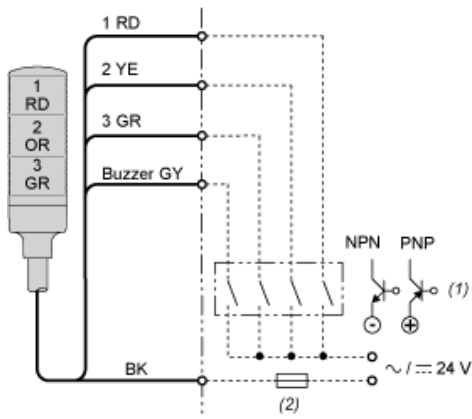


Mounting



- (1) Thickness +10 mm/0.39 in
- (2) Hexagon Nut
- (3) Washer

Wiring



(1) "ON" for lighting and/or applying continuous sound.

(2) Fuse (rated current: 0.5 A)

RD : Red

YE : Yellow

GR : Green

GY : Grey

OR : Orange

BK : Black

Recommended replacement(s)