



Tesca Portable Ammeters & Voltmeters are designed for use in the field, test rooms and laboratories where precision measurement is required. These Portable Instruments can be used equally well in precision research laboratories where carefully controlled atmosphere conditions are secured, in educational institutions where possible misuses exist and in factories where these instruments are important for making calibration check on switchboard and panel instruments.

Features:

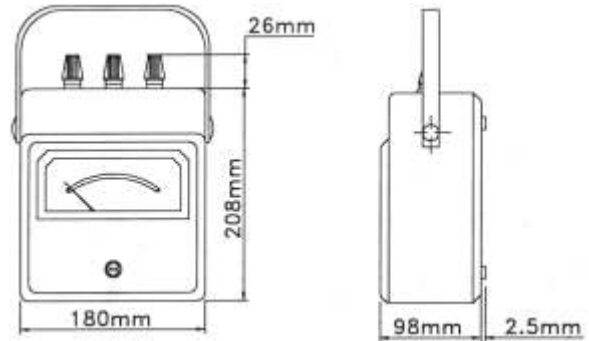
- **Knife edge Pointer & Anti-parallax mirror scale.**
- **Tough Bakelite Case :** The complete body of the instrument is made from superior grade of bakelite. Unique design makes it very strong in construction and at the same time provides very high insulation.
- **Shock resistant Pivot jewel movements :** The pivots are made from Carbon Steel hard chrome plated and are mounted in spring loaded sapphire jewels. This ensures shock resistance due to vibrations in transit and minimum friction during use.
- **Dust Proof :** The Movement is placed in a separate compartment making it completely dust proof, thus ensuring long life and years of trouble free service.
- **Minimised Heating of Voltmeters or less internal heating due to low VA-loss :** The resistance of voltmeters are housed separately in a ventilated compartment making heating problems negligible
- **Quick Response** due to unique damping.
- **Confirming to BS 89, IEC 51 & ISS 1248.**

Specifications:

- Scale Length** : 140mm approx
- Test Voltage** : 200V AC (rms) for 1 minute
- Insulation Resistance** : Over 20 Megohms at 500V DC
- Sensitivity** : 1000 ohms/V for DC Meters.

Dimensions:

Bakelite Case



Moving Iron / AC Voltmeters

Order Code	Accuracy	Range (Choose Any One)
20027	Class 0.5 as per ISS 1248/83	0-62.5/125/250V, 75/150/300V, 0-125/250/500V, 150/300/600V
20028	Class 1.0 as per ISS 1248/83	0-15, 30, 60, 75, 100, 125, 150, 250, 300, 500, 600V
20029	Class 1.0 as per ISS 1248/83	0-15/30, 30/60, 75/150, 62.5/125, 125/250, 150/300, 250/500, 300/600V
20030	Class 1.0 as per ISS 1248/83	0-15/30/60, 75/150/300, 62.5/125/250, 125/250/500, 150/300/600V
20031	Class 2.5 as per ISS 1248/83 Sensitivity 1000Ohms/V	0-7.5, 15, 30, 60, 75, 125, 150, 300, 500, 600V
20032	Class 2.5 as per ISS 1248/83 Sensitivity 1000Ohms/V	0-7.5/15, 15/30, 30/60, 75/150, 125/250, 150/300, 300/600V
20033	Class 2.5 as per ISS 1248/83 Sensitivity 1000Ohms/V	0-7.5/15/30, 15/30/75, 30/75/150, 75/150/300, 125/250/500, 150/300/600V

Note: Specifications are subject to change.

Tesca Technologies Pvt. Ltd.

IT-2013, Ramchandrapura Industrial Area, Sitapura Extension,
Near Bombay Hospital, Vidhani Circle, Jaipur-302022, Rajasthan, India,
Tel: +91-141-2771791 / 2771792; Email: info@tesca.in, tesca.technologies@gmail.com
Website: www.tesca.in

Moving Iron / AC Ammeters:

Order Code	Accuracy	Range (Choose Any One)
20034	Class 0.5 as per ISS 1248/83	0-0.2/1, 0.5/2.5, 1/5, 2/10A
20035	Class 1.0 as per ISS 1248/83	0-50, 100, 250, 500mA 0-1, 2, 2.5, 3, 5, 10, 20, 30, 40, 50, 60, 75, 100A
20036	Class 1.0 as per ISS 1248/83	0-1/2, 2.5/5, 5/10, 10/20, 15/30, 25/50, 50/100A
20037	Class 1.0 as per ISS 1248/83	0-1/3/10, 3/10/30, 5/10/25, 10/30/100, 10/25/50, 25/50/100A
20038	Class 1.0 as per ISS 1248/83	0-1/3/10/30/100, 5/10/25/50/100A
20039	Class 2.5 as per ISS 1248/83	0-10, 15, 25, 50, 75, 100, 200, 250, 300, 500, 750mA
20040	Class 2.5 as per ISS 1248/83	0-1 to 30A (Any Single Range)

Moving Coil / DC Voltmeters

Order Code	Accuracy	Range (Choose Any One)
20041	Class 0.5 as per ISS 1248/83 Sensitivity 1000Ohms/V	0-1/3/10/30, 0-3/10/30/100, 0-30/100/300/600V
20042	Class 1.0 as per ISS 1248/83 Sensitivity 1000Ohms/V	0-50, 75, 100, 150, 250, 300, 500, 750mV 0-1, 3.5, 7.5, 15, 30, 60, 75, 125, 150, 250, 300, 500, 600V
20043	Class 1.0 as per ISS 1248/83 Sensitivity 1000Ohms/V	0-50/100, 75/150, 125/250, 150/300, 300/600, 500/1000mV 0-1.5/3, 7.5/15, 15/30, 30/60, 75/150, 125/250, 150/300, 250/500, 300/600V
20044	Class 1.0 as per ISS 1248/83 Sensitivity 1000Ohms/V	0-50/100/200, 75/150/300, 125/250/500, 150/300/600, 250/500/1000mV 0-1.5/3/7.5, 3/7.5/15, 7.5/15/30, 15/30/75, 30/75/150, 125/250/500, 75/150/300, 150/300/600V
20045	Class 1.0 as per ISS 1248/83 Sensitivity 1000Ohms/V	0-50/100/250/500, 75/150/300/600, 125/250/500/1000mV 0-1.5/3/7.5/15, 3/7.5/15/30, 15/30/75/150, 7.5/15/30/60, 75/150/300/600V
20046	Class 1.0 as per ISS 1248/83	0-0.3/1/3/10, 3/10/30/100, 30/100/300/600V

Moving Coil / DC Ammeters:

Order Code	Accuracy	Range (Choose Any One)
20047	Class 0.5 as per ISS 1248/83	0-0.1/0.3/1/3, 1/3/10/30, 10/30/100/300mA 0-0.1/0.3/1/3A
20048	Class 0.5 as per ISS 1248/83	0-1/3/10/30A
20049	Class 1.0 as per ISS 1248/83	0-100, 150, 200, 250, 300, 500, 750uA
20050	Class 1.0 as per ISS 1248/83	0-1, 2.5, 5, 10, 15, 25, 50, 75, 100, 200, 250, 300, 500, 750mA
20051	Class 1.0 as per ISS 1248/83	0-1/2, 2.5/5, 5/10, 10/20, 15/30, 25/50, 75/150, 150/300, 250/500, 300/600, 500/1000mA
20052	Class 1.0 as per ISS 1248/83	0-1, 2, 2.5, 5, 10, 15, 20, 25, 30, 50A
20053	Class 1.0 as per ISS 1248/83	0-1/2, 2.5/5, 5/10, 10/20, 15/30, 25/50A
20054	Class 1.0 as per ISS 1248/83	0-75, 100, 150, 200, 250, 300, 500, 750, 1000, 1500A (With External Shunt)
20055	Class 1.0 as per ISS 1248/83	0-0.1/0.3/1/3, 1/3/10/30, 10/30/100/300mA 0-0.1/0.3/1/3, 1/3/10/30A

Note: Specifications are subject to change.

Tesca Technologies Pvt. Ltd.

IT-2013, Ramchandrapura Industrial Area, Sitapura Extension,
Near Bombay Hospital, Vidhani Circle, Jaipur-302022, Rajasthan, India,
Tel: +91-141-2771791 / 2771792; Email: info@tesca.in, tesca.technologies@gmail.com
Website: www.tesca.in