

CE



17708A

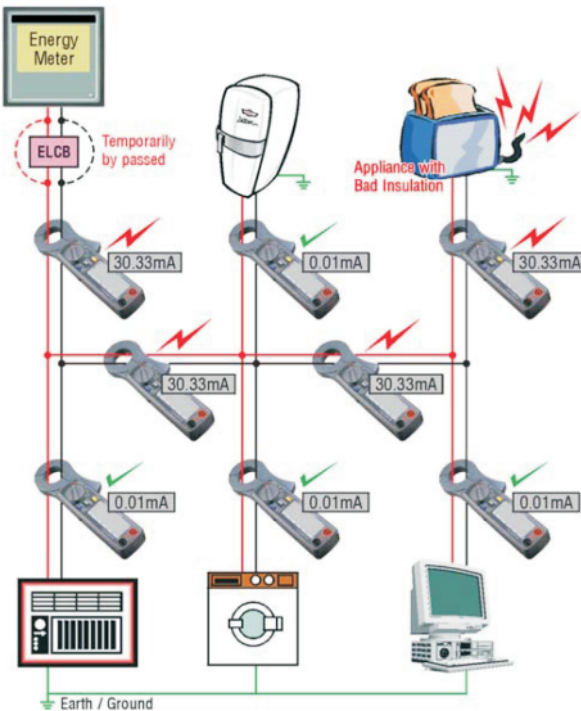
Features

- 10µA Ultra High Resolution
- Large Conductor Diameter (30mm)
- AC Current in 5 Ranges (40mA, 400mA, 4A, 40A, 60A)
- Wide Frequency Response (40Hz ~ 1KHz)
- AC A, AC V, Ω and Continuity
- Large 3 ¼ Digit LCD (4000 Count)
- 40 Segment Fast Bargraph Display (30 times/sec.)
- Data Hold and Max/Min Hold
- Relative Measurement
- 600 Vrms Overload Protection in Resistance Range

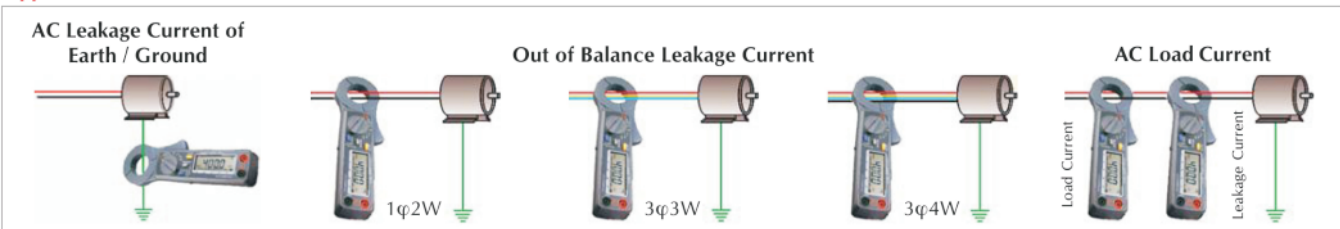
General Specifications

Jaw Opening	Cable Dia 30mm. max. (approx.)
Battery Type	Two 1.5V SUM-3
Display	3 ¼ LCD with 40 Segment Bargraph
Range Selection	Manual
Overload Indication	OL
Power Consumption	15mA (approx.)
Low Battery Indication	B
Sampling Time	3 time/sec. (display) 30 time/sec. (bargraph)
Operating Environment	-10° to 50°C, RH < 85%
Storage Environment	-20°C to 60°C, RH < 75%
Altitude	up to 2000M
Dimensions	210 x 72 x 36 mm
Weight	210gms Including Battery (approx.)
Accessories	Carrying Case x 1, Users Manual x 1, Battery (installed), Test Leads x 1 pair

Fault Tracing of Live Installation



Application



Specifications (23°C ± 5°C)

AC Current		Accuracy	
Range	Resolution	50/60 Hz	Wide (40Hz ~ 1KHz)
40 mA	10 µA	± 1.0%rdg ± 3dgts	± 2.0%rdg ± 5dgts
400 mA	100 µA		
4 A	1 mA		
40 A	10 mA		
60 A (0 ~ 50A)	100 mA	± 1.5%rdg ± 3dgts	± 3.0%rdg ± 5dgts
60 A (50 ~ 60A)	100 mA	± 3.0%rdg ± 5dgts	± 3.5%rdg ± 5dgts

Though the Meter can Display upto 400A, the Calibration is valid upto 60A

Resistance (Ω) and Continuity (Open Voltage 0.4V)				
Range	Resolution	Accuracy	Beeping	OL Protection
40 ~ 400Ω	0.1Ω	± 1.0%rdg ± 2dgts	< 38.0 Ω	AC 600V

AC Voltage (Input Impedance : 10 MΩ)				
Range	Resolution	Accuracy		Overload Protection
		50/60 Hz	40 ~ 1KHz	
400V	0.1V	± 1.5%rdg ± 2dgts	± 2.0%rdg ± 4dgts	AC 800V

Note: Specifications are subject to change.

Tesca Technologies Pvt. Ltd.

IT-2013, Ramchandrapura Industrial Area, Sitapura Extension,
Near Bombay Hospital, Vidhani Circle, Jaipur-302022, Rajasthan, India,
Tel: +91-141-2771791 / 2771792; Email: info@tesca.in, tesca.technologies@gmail.com
Website: www.tesca.in



Carry Bag



Resistance Verification Plate

The faults in any Electrical System are unavoidable. Earthing plays an important role in Generation, Transmission & Distribution for safe and proper operation of any Electrical Installation.

Clamp-On Earth / Ground Resistance Tester has long jaw suitable for Earthing Strip of 65mm x 32mm. It completely eliminates the use of ground and auxiliary rods thus saving lot of time and avoiding shutdown. Calibration check can be verified by using the Resistance Verification Plate provided. This is an extremely handy instrument especially at place where it is next to impossible to measure Earth / Ground Resistance by conventional methods. Substantial time saving and easy operating justify the investment in these instruments.

Features

- Non Contact Ground Resistance Measurement
- No Auxillary Electrodes Needed
- Data Storing Memory
- Data Hold, Noise Signal
- Ground Resistance Measurement 0.01Ω ~ 1000Ω
- Suitable for Earthing Strip of 65mm x 32mm
- Leakage Current (0.5mA ~ 30.00A)
- Auto Ranging
- Continuity Loop Test
- Auto Power Off

General Specifications

Jaw	: 65 x 32 mm Approx.
Conductor Size	: Φ65 mm * 32 mm
Battery Type	: 1.5V (AA) x 4 (Alkaline)
Display	: 4 Digit 9999 counts LCD
Range Selection	: Auto
Memory	: 99 Sets
Overload Indication	: OL
Low Battery Indication	: <input type="checkbox"/> B <input type="checkbox"/>
Operating Environment	: -10°C ~ 55°C
Dimensions	: 293 x 90 x 66 mm
Weight	: 1250 gms Including Battery (approx)
Accessories	: Resistance Verification Plate x 1, Battery 1.5V (AA) x 4 (Installed), User Manual x 1, Carry Bag x 1
Configurable Alarm	: Resistance : 1 ~ 199Ω Current : 1 ~ 499mA

Electrical Specifications (23°C ± 5°C)

Ground Resistance (Auto Range)		
Range	Resolution	Accuracy of Reading
0.010 ~ 0.099 Ω	0.001 Ω	± (1% + 0.01 Ω)
0.10 ~ 0.99 Ω	0.01 Ω	± (1% + 0.01 Ω)
1.0 ~ 49.9 Ω	0.1 Ω	± (1.5% + 0.1 Ω)
50.0 ~ 99.5 Ω	0.5 Ω	± (2% + 0.5 Ω)
100 ~ 199 Ω	1 Ω	± (3% + 1 Ω)
200 ~ 395 Ω	5 Ω	± (6% + 5 Ω)
400 ~ 590 Ω	10 Ω	± (10% + 10 Ω)
600 ~ 1000 Ω	20 Ω	± (20% + 20 Ω)

Ground & Leakage Current: Auto Ranging, 45/65Hz, RMS 17708C		
Range	Resolution	Accuracy of Reading
0 ~ 80 mA	0.05 mA	± (2.5% + 1 mA)
80 mA ~ 650 mA	0.5 mA	± (2.5% + 2 mA)
650 mA ~ 4 A	5 mA	± (2.5% + 10 mA)
4 A ~ 30 A	10 mA	± (2.5% + 20 mA)

17708B, 17708C

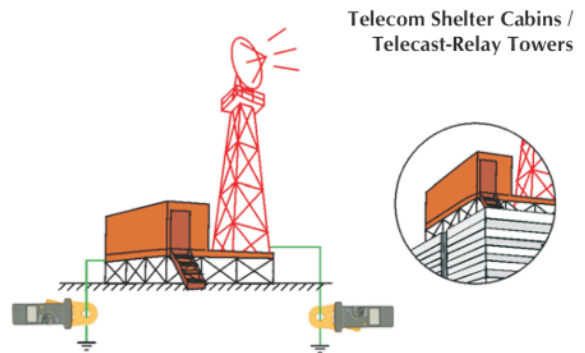
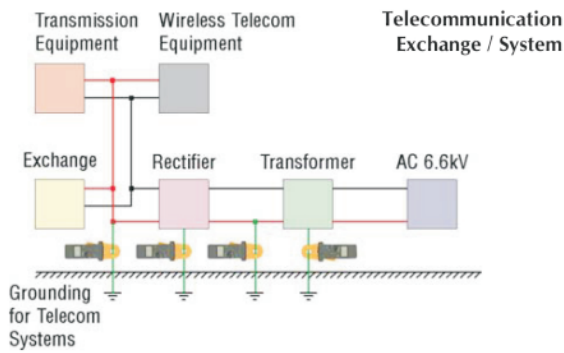
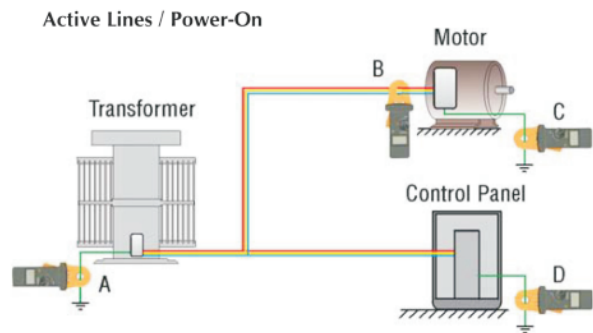
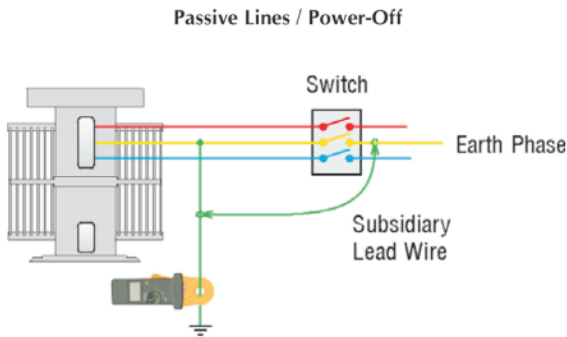
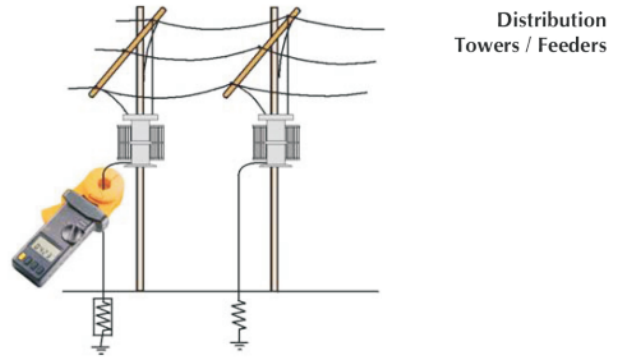
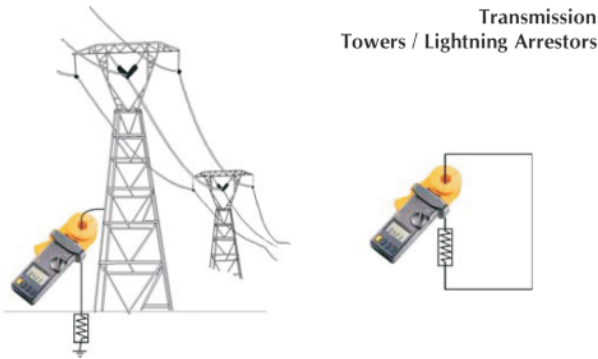
Note: Specifications are subject to change.

Tesca Technologies Pvt. Ltd.

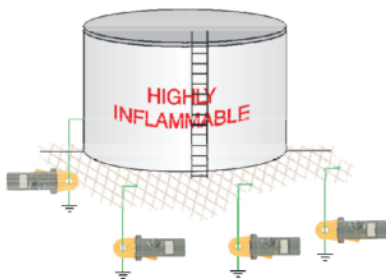
IT-2013, Ramchandrapura Industrial Area, Sitapura Extension,
 Near Bombay Hospital, Vidhani Circle, Jaipur-302022, Rajasthan, India,
 Tel: +91-141-2771791 / 2771792; Email: info@tesca.in, tesca.technologies@gmail.com
 Website: www.tesca.in

Applications

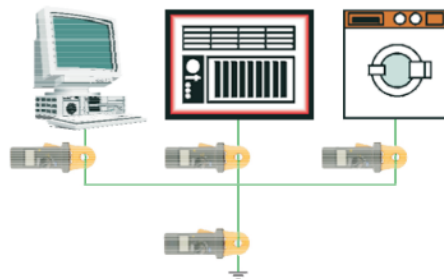
Hazards due to improper earth / ground happen around us everyday. Systems are becoming more and more complex and faults in any system are unavoidable. Every electrical equipment, appliance or network must be properly earthed to allow a low resistance path for dissipation of leakage current into the earth. MECO Clamp-On Earth / Ground Resistance Tester can measure accurately within a few minutes the ground resistance & AC current (load & leakage) of all types of installations by just clamping to the grounding lines without disconnecting the circuit or driving auxiliary electrodes. A few of the applications have been illustrated below :



Hazardous Storage Tanks for Petrol / Oil / Gas / Chemicals



Household Electrical Appliances



Note: Specifications are subject to change.

Tesca Technologies Pvt. Ltd.

IT-2013, Ramchandrapura Industrial Area, Sitapura Extension,
 Near Bombay Hospital, Vidhani Circle, Jaipur-302022, Rajasthan, India,
 Tel: +91-141-2771791 / 2771792; Email: info@tesca.in, tesca.technologies@gmail.com
 Website: www.tesca.in



CE



Features

- Non Contact Ground Resistance Measurement
- No Auxiliary Electrodes Needed
- Recording / 116 Sets of Memory
- Ground Resistance Measurement 0.025Ω ~ 1500Ω
- Suitable for Ground Wire upto Φ 23mm 17708D
- Suitable for Ground Wire upto Φ 34.5mm 17708E
- Leakage Current (0.300mA ~ 30.00A) 17708D
- Leakage Current (0.300mA ~ 35.00A) 17708E
- Programmable High & Low Alarm
- Programmable Data Logging
- Auto Range
- Continuity Loop Test
- Auto Power Off

General Specifications

- Jaw Opening : 23 mm approx. 17708D
 38 mm approx. 17708E
- Battery Type : 9V (Alkaline)
- Display : 4 Digit 9999 Counts LCD
- Range Selection : Auto
- Overload Indication : OL
- Power Consumption : 40mA (approx.)
- Low Battery Indication : B
- Operating Environment : 0° ~ 50°C, RH < 85%
- Storage Environment : -20°C ~ 60°C, RH < 75%
- Dimensions : 257 x 100 x 47 mm 17708D
 276 x 102 x 51 mm 17708E
- Weight : 670 gms Including Battery (approx.) 17708D
 790 gms Including Battery (approx.) 17708E
- Accessories : Resistance Verification Plate x 1,
 Battery (installed) x 1, User Manual x 1,
 Carry Box x 1, Cleaning Brush x 1

Electrical Specifications (23°C ± 5°C)

Ground Resistance (Auto Range)		
Range	Resolution	Accuracy of Reading ^{1,2}
0.025 ~ 0.250 Ω	0.002 Ω	± 1.5%rdg ± 0.05Ω
0.251 ~ 1.000 Ω	0.02 Ω	± 1.5%rdg ± 0.05Ω
1.001 ~ 10.00 Ω	0.02 Ω	± 1.5%rdg ± 0.1Ω
10.01 ~ 50.00 Ω	0.04 Ω	± 2.0%rdg ± 0.3Ω
50.01 ~ 100.0 Ω	0.04 Ω	± 2.0%rdg ± 0.5Ω
100.1 ~ 200.0 Ω	0.4 Ω	± 3.0%rdg ± 1.0Ω
200.1 ~ 400.0 Ω	2 Ω	± 5.0%rdg ± 5Ω
400.1 ~ 600.0 Ω	5 Ω	± 10%rdg ± 10Ω
600.1 ~ 1500 Ω	20 Ω	± 20%rdg

1. Loop resistance noninductive, external field < 50A/m 17708D or < 200A/m 17708E , external electrical field < 1V/m, conductor centered.
2. Resistance Measurement Frequency : 3.333KHz

Ground & Leakage Current: Auto Ranging, 50/60Hz, TRMS, Crest Factor < 3.0 for 17708D or < 3.5 for 17708E		
Range	Resolution	Accuracy of Reading
0.300 ~ 1.000 mA	0.001 mA	± 2.0%rdg ± 0.05mA
1.00 ~ 10.00 mA	0.01 mA	± 2.0%rdg ± 0.03mA
10.0 ~ 100.0 mA	0.1 mA	± 2.0%rdg ± 0.3mA
100 ~ 1000 mA	1 mA	± 2.0%rdg ± 3mA
0.200 ~ 4.000A	0.001A	± 2.0%rdg ± 0.03A
4.00 ~ 30.00A (4680)	0.01A	± 3.0%rdg ± 0.03A
4.00 ~ 35.00A (4680B)	0.01A	± 3.0%rdg ± 0.03A

Accuracy of Resistance Calibration Plate : ± 1%
 Data Logging Capacity : 116 Records
 Data Logging Interval : 1 ~ 255 Seconds

17708D, 17708E

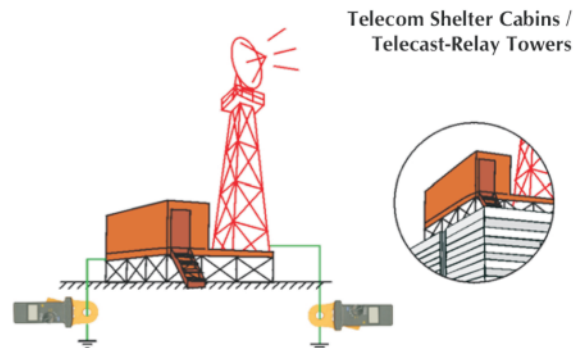
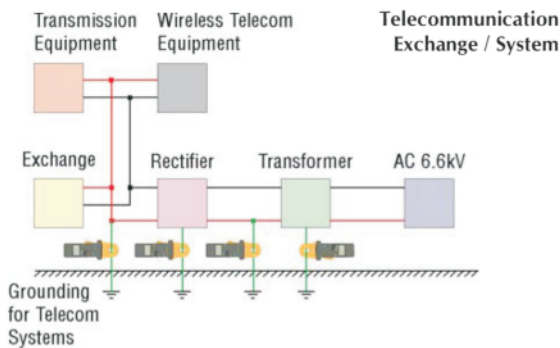
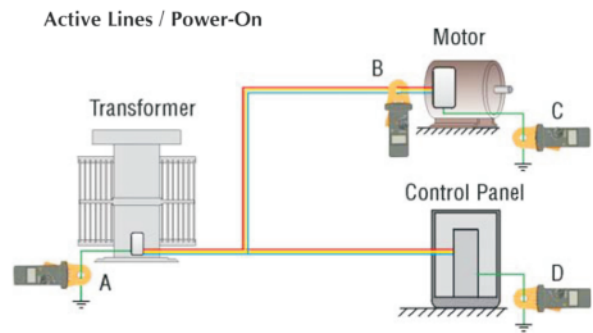
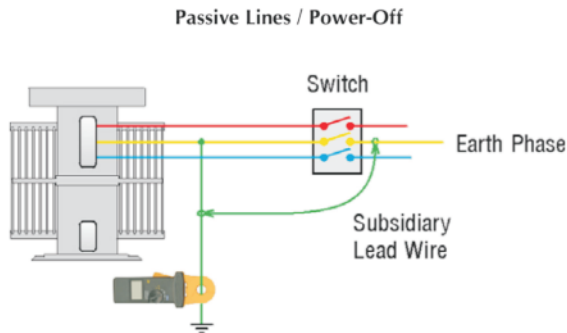
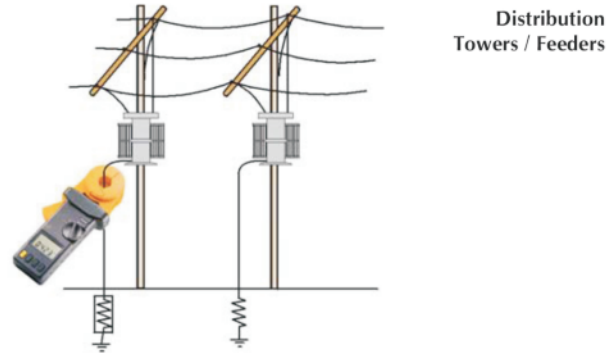
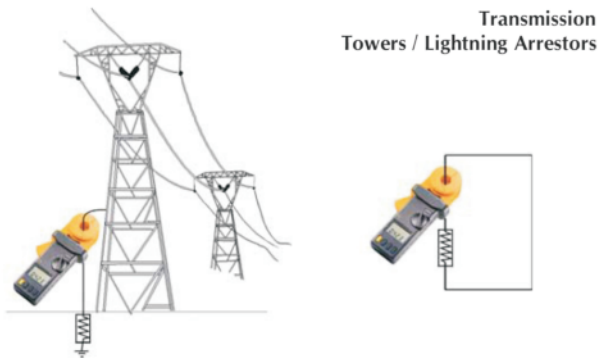
Note: Specifications are subject to change.

Tesca Technologies Pvt. Ltd.

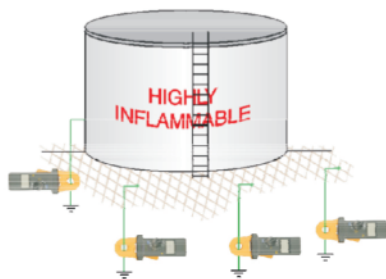
IT-2013, Ramchandrapura Industrial Area, Sitapura Extension,
 Near Bombay Hospital, Vidhani Circle, Jaipur-302022, Rajasthan, India,
 Tel: +91-141-2771791 / 2771792; Email: info@tesca.in, tesca.technologies@gmail.com
 Website: www.tesca.in

Applications

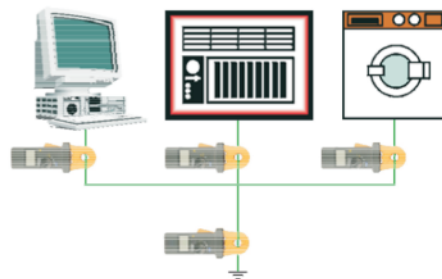
Hazards due to improper earth / ground happen around us everyday. Systems are becoming more and more complex and faults in any system are unavoidable. Every electrical equipment, appliance or network must be properly earthed to allow a low resistance path for dissipation of leakage current into the earth. Clamp-On Earth / Ground Resistance Tester can measure accurately within a few minutes the ground resistance & AC current (load & leakage) of all types of installations by just clamping to the grounding lines without disconnecting the circuit or driving auxiliary electrodes. A few of the applications have been illustrated below :



Hazardous Storage Tanks for Petrol / Oil / Gas / Chemicals



Household Electrical Appliances



Note: Specifications are subject to change.

Tesca Technologies Pvt. Ltd.

IT-2013, Ramchandrapura Industrial Area, Sitapura Extension,
 Near Bombay Hospital, Vidhani Circle, Jaipur-302022, Rajasthan, India,
 Tel: +91-141-2771791 / 2771792; Email: info@tesca.in, tesca.technologies@gmail.com
 Website: www.tesca.in

